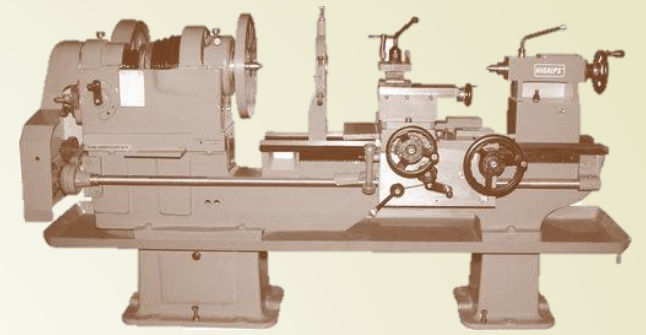


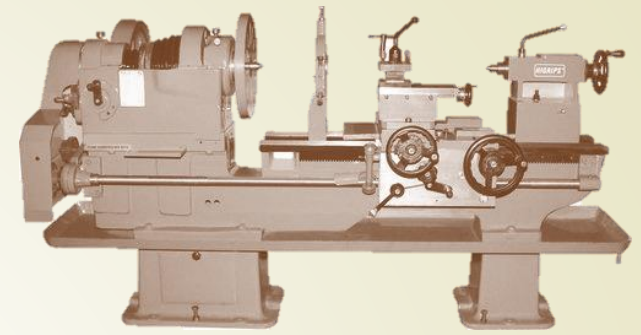
EAA 2017 WORK PLAN – ECO MODEL AMENDMENT



- “The...contract has been extended from 12/31/2016 to 4/30/2017 to allow for training, development of a user guide, and completion of the final eco model report.”
- Moves unspent money from 2016 to 2017 – overall budget neutral.
- 2017 budget: \$30,000
 - User guide and training to maintain and operate the eco model (\$25,000)
 - Final eco model report (\$5,000)



EAA 2017 FUNDING APP – ECO MODEL AMENDMENT



~~\$16,147,247~~ \$16,177,247 as specifically depicted in Table 1 below:

EAHCP Mitigation Measure	Description	2017 Budget Request	Managing Party
5.1.1	Refugia	\$1,678,597	In negotiations with U S Fish & Wildlife Service (USFWS) with <u>BIO-WEST</u>
5.1.2	Voluntary Irrigation Suspension Program Option	\$2,208,000	EAA Staff
5.1.3	Regional Water Conservation	\$4,533,175	EAA Staff
5.5.1	Aquifer Storage and Recovery	\$5,500,000	EAA Staff, SAWS
6.3.1	Biological Monitoring - Monitoring	\$408,275	BIO-WEST
5.7.2	Water Quality Monitoring	\$189,450	SWCA plus monitoring supplies for EAA Staff
6.3.3	Ecological Modeling	\$0 <u>\$30,000</u>	BIO-WEST
6.3.4.2	Applied Research – Freeman Aquatic Bldg. and Research	\$450,000	Various Contractors
	Scientific Panel Review	\$269,750	National Academy of Sciences
	EAA Administrative Costs	\$910,000	EAA Staff
Total Funding Request		\$16,147,247 <u>\$16,177,247</u>	

Eco model no-cost extension

Final request reflecting extension

